

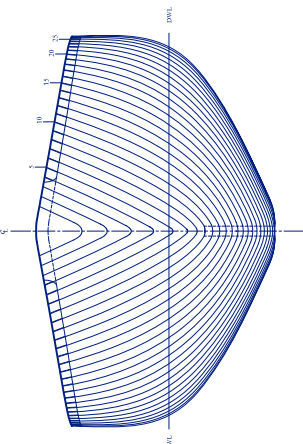
**PRINCIPAL DIMENSIONS**

Length Overall	108'-2"	3302 mm
Length at Water Line	85'-2"	2590 mm
Beam Mould	29'-2 1/2"	8940 mm
Beam Deck	27'-0"	8230 mm
Displacement (incl. FWL)	146,000 LBS	66,000 KG
Displacement (incl. FWL)	101,000 LBS	45,800 KG
LCI (incl. FWL)	85'-2 1/2"	2590 mm
LCI (incl. FWL)	85'-2 1/2"	2590 mm
Block Ratio	1.00	1.00
Block Ratio	20%	20%
Prismatic Ratio	218	218
Design Length Ratio	85'-2"	2590 mm
Design Length Ratio	7'-2"	218 mm
Block Length	600 mm	600 mm

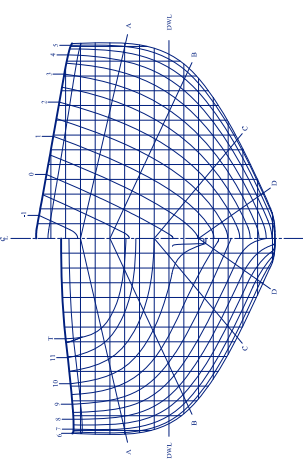
**REVISIONS**

No.	DESCRIPTION	DATE
1	Issue for Review	10/10/10
2	Issue for Review	10/10/10
3	Issue for Review	10/10/10
4	Issue for Review	10/10/10
5	Issue for Review	10/10/10

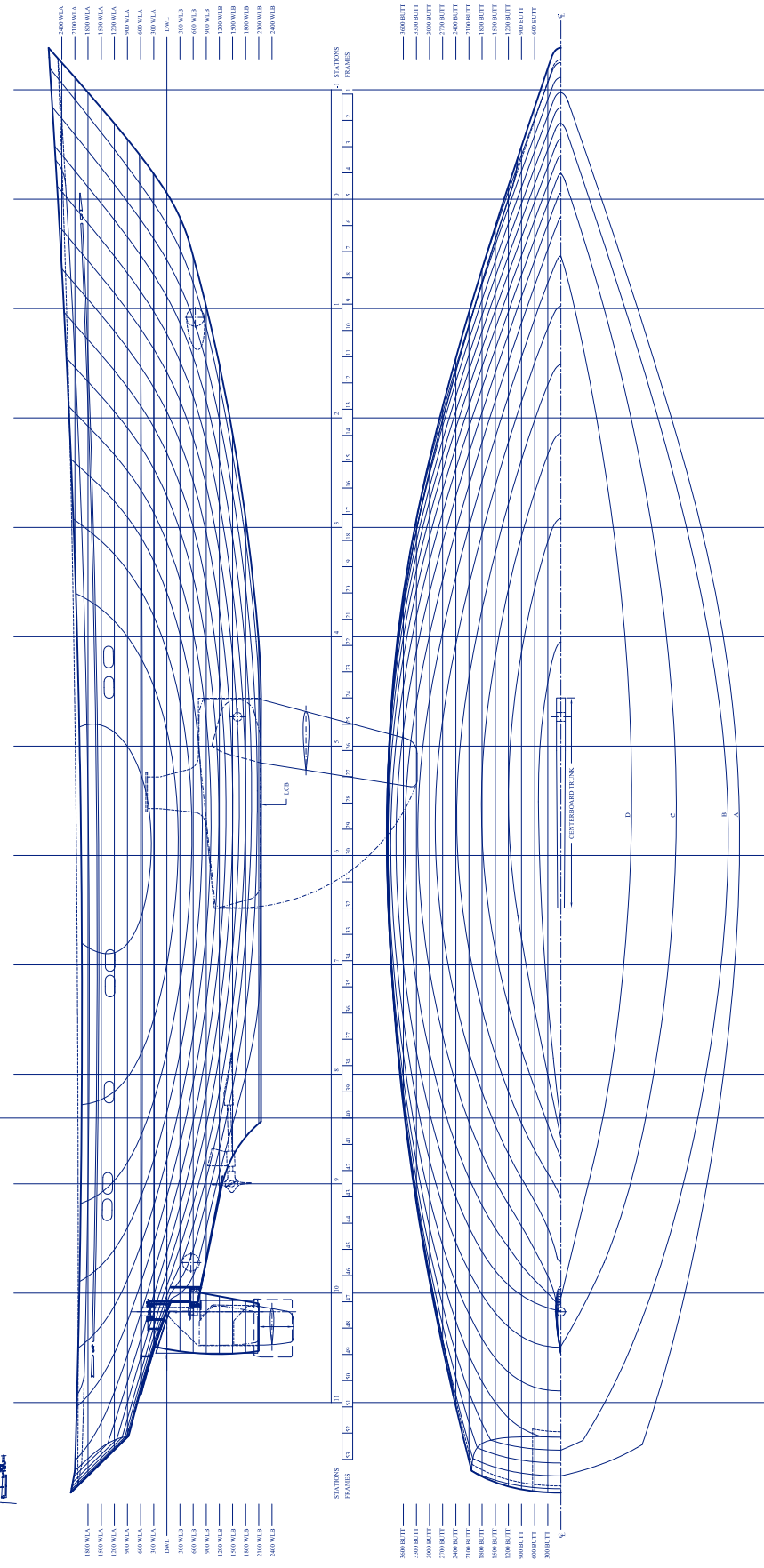
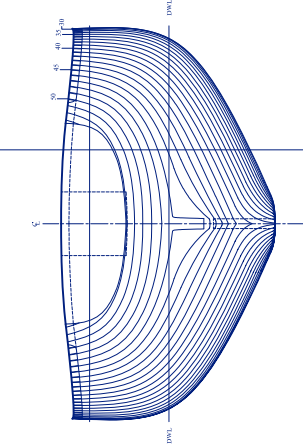
**FWD FRAMES**



**STATIONS**



**AFT FRAMES**



- 400 W/LA
- 300 W/LA
- 1500 W/LA
- 1300 W/LA
- 900 W/LA
- 600 W/LA
- 300 W/LA
- 100 W/LB
- 600 W/LB
- 300 W/LB
- 1500 W/LB
- 1300 W/LB
- 900 W/LB
- 600 W/LB
- 300 W/LB
- 2000 W/LB

- 500 B/LTT
- 300 B/LTT
- 200 B/LTT
- 1500 B/LTT
- 1300 B/LTT
- 900 B/LTT
- 600 B/LTT
- 300 B/LTT



STATIONS FRAMES 1 2 3 4 5 6 7 8 9 10 11 12 13 14 15 16 17 18 19 20 21 22 23 24 25 26 27 28 29 30 31 32 33 34 35