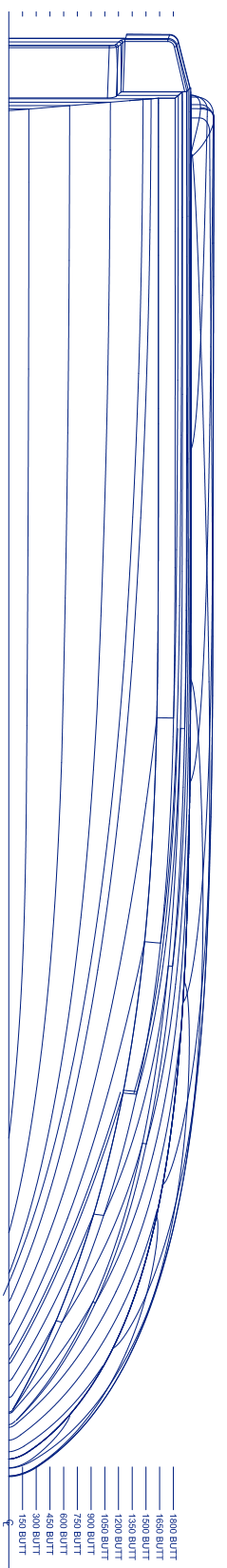
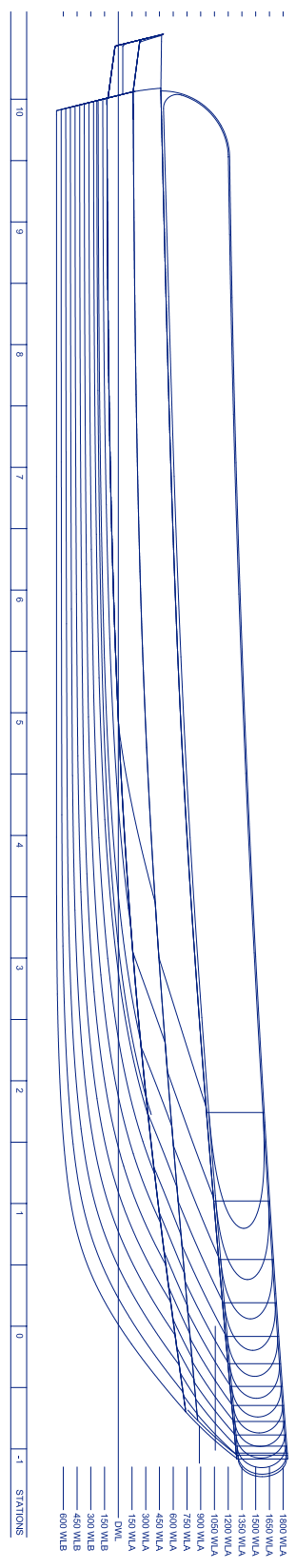
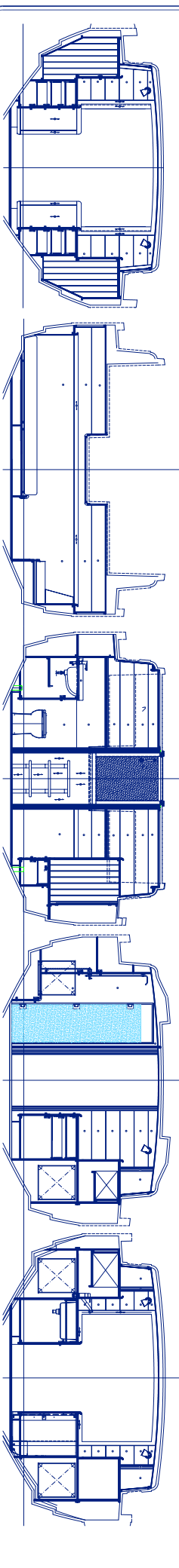
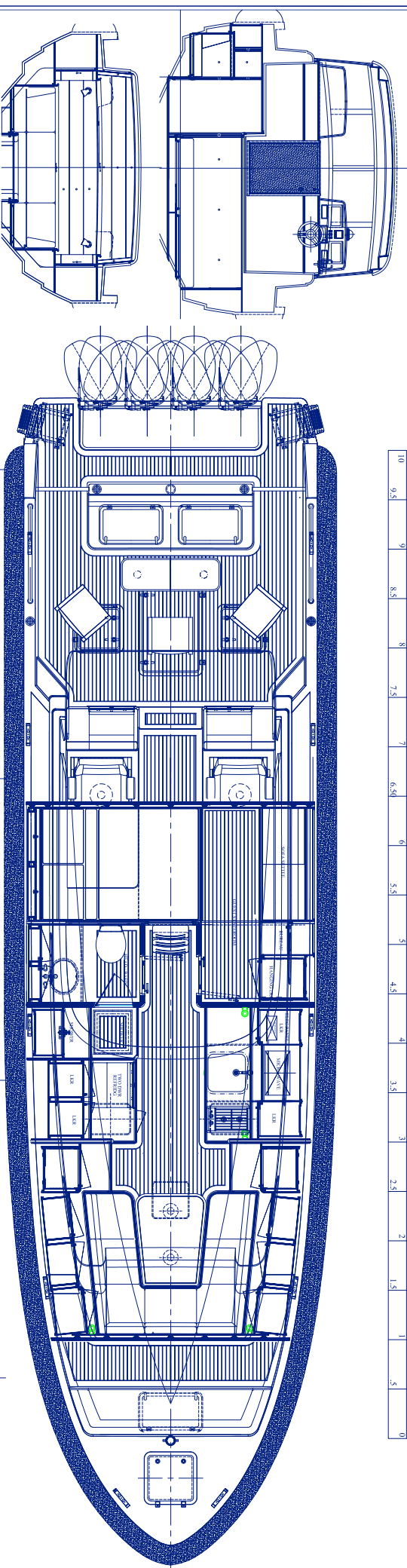
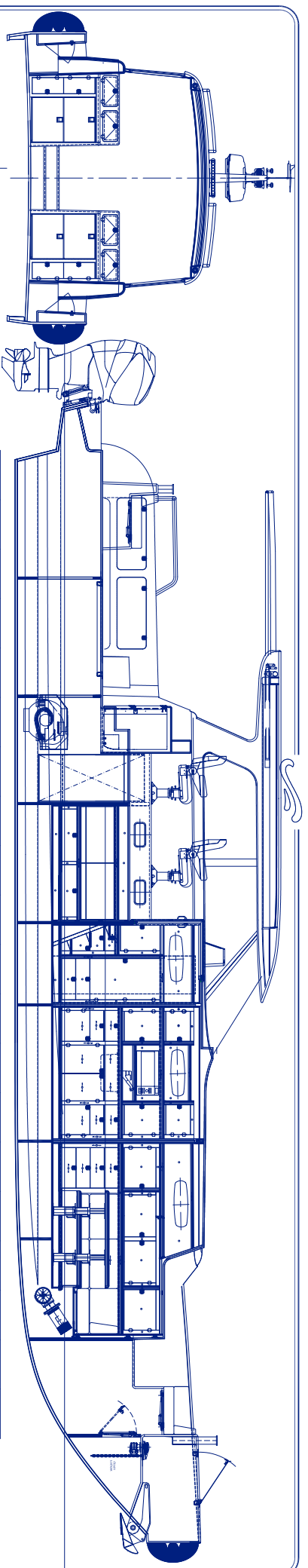


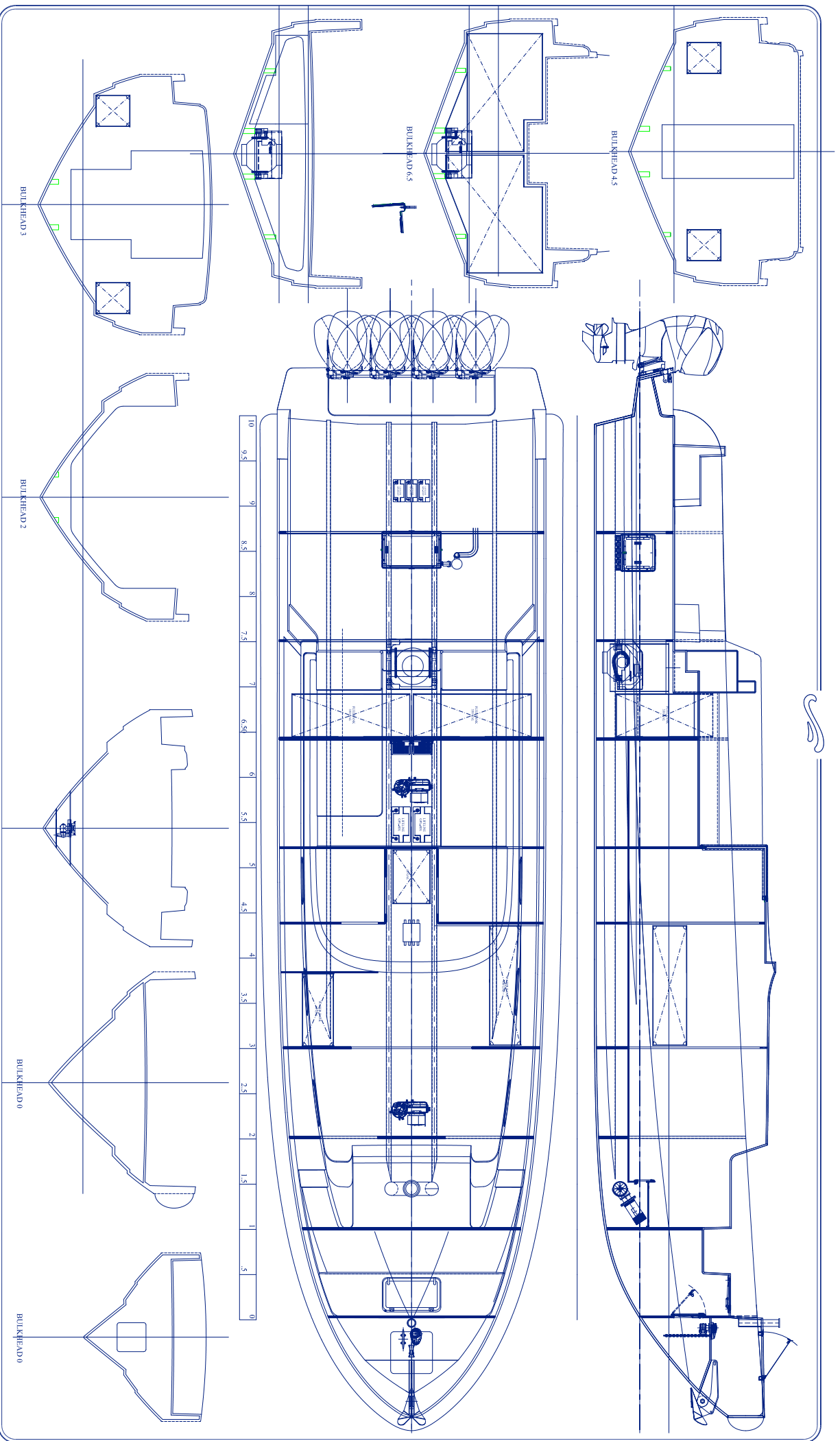
PRINCIPAL DIMENSIONS			
LOA	14.98 m	49.15'	
LWL	13.41 m	44.00'	
BEAM - OVERALL	3.97 m	13.02'	
BEAM - AT CHINE	3.63 m	11.91'	
DISPLACEMENT	13,225 kg	29,156 lbs	
DEADRISE - TRANSON		18.5°	
DEADRISE - MIDSHP		21°	
LCB	59.5 %WL AT STA 0		

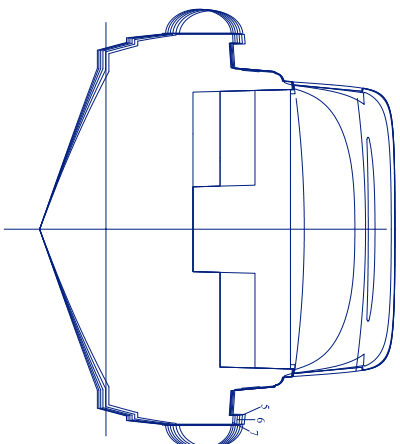
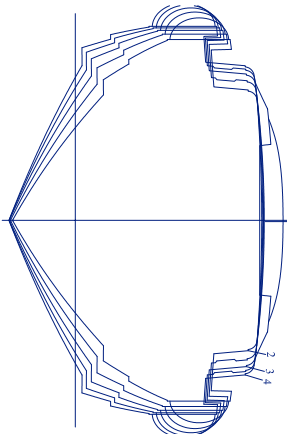
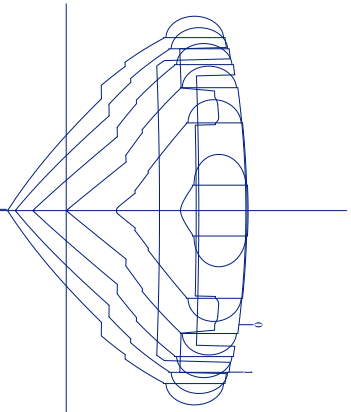
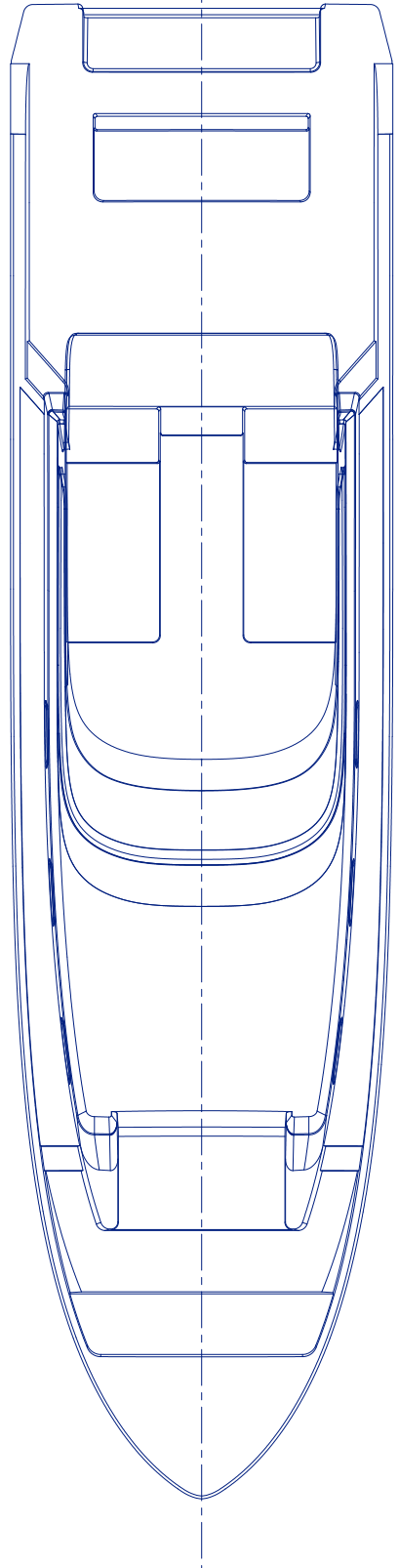
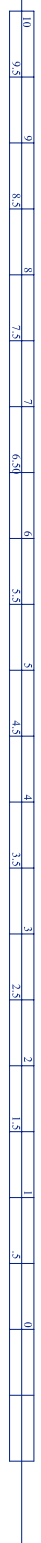
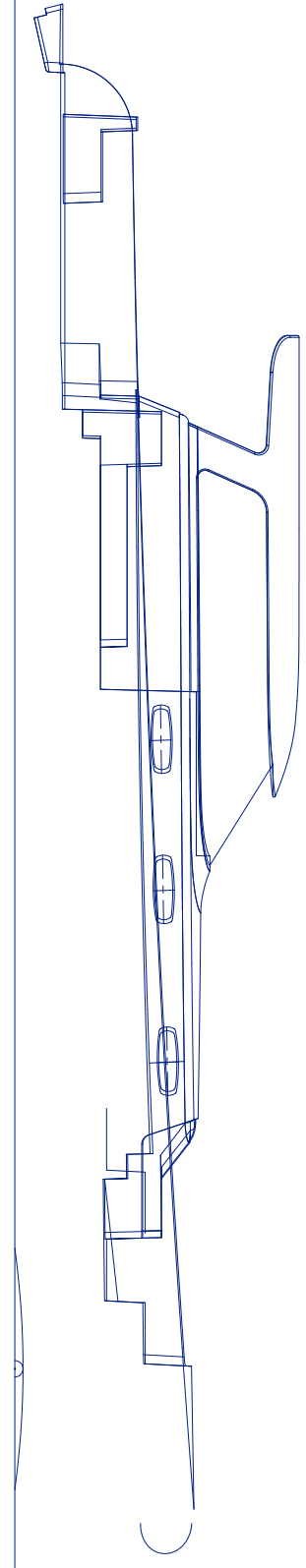





FONTAINE DESIGN GROUP
 NAVAL ARCHITECTS & MARINE ENGINEERS
 25 MARSHFIELD DRIVE, SUITE 100
 WESTPORT, MA 01886

SURFARI 50
 50' LOA RHIB
 ALTERNATE FORWARD SR
 SCALE: 1/4" = 1' APRIL 10, 2010 DWG: 12072011A Rev: 1/4





STATIONS 4.5 / 7